



**AUSSIE BUCKETS**

**PERFORMANCE**  
**RANGE**

**MBI**  
**PRIMARY**  
**CRUSHER**

# CONTENTS

.03  
INTRODUCTION

.04  
SAY NO TO MARKUPS

.05  
OUR STORY

.06  
WHY CHOOSE AUSSIE BUCKETS?

.07  
MANUFACTURE & DELIVERY

.08  
OVERVIEW

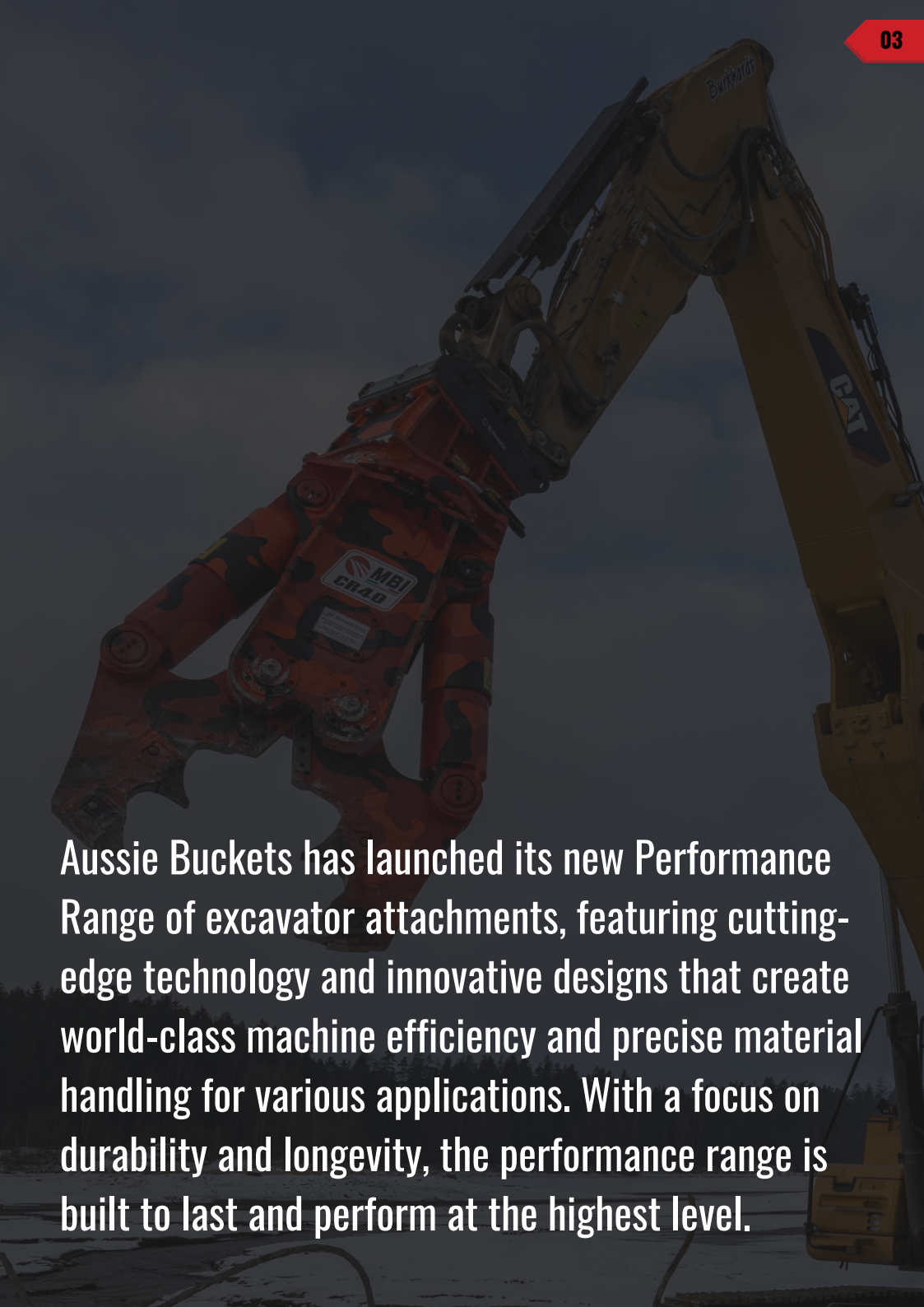
10  
MBI PRIMARY CRUSHER

.14  
GALLERY

.16  
PARTNERING WITH MBI

.17  
MBI COMPANY BACKGROUND

.18  
CONTACT US



Aussie Buckets has launched its new Performance Range of excavator attachments, featuring cutting-edge technology and innovative designs that create world-class machine efficiency and precise material handling for various applications. With a focus on durability and longevity, the performance range is built to last and perform at the highest level.

## Say **No** To Markups.

**As a fundamental part of society, operators in the excavation industry deserve to be looked out for.**

Aussie Buckets specializes in offering an extensive selection of robust and durable excavator grabs and buckets designed for heavy-duty applications.

Our product range includes 100% customized attachments that are compatible with major OEM brands such as Cat, Komatsu, JCB, and Kubota. With over 102 pickup locations across the nation, a 12-month warranty, and lifetime after-sales support, we are committed to providing the highest level of customer satisfaction.

Aussie Buckets boasts a team of highly skilled and experienced engineers who are proficient in designing and fabricating attachments that are custom-built to meet the specific requirements of your machine.

As a leading supplier of attachments in Australia, we pride ourselves on using top-quality materials and cutting-edge technology to deliver superior products that are capable of withstanding the challenging conditions of Australian landscapes.



## Our Story.

**A mission to provide hard-working Australian operators with high-quality products at a fair price.**

Aussie Buckets, established in 2018, is a subsidiary of the Kuzmich Watts & Tomich Group Pty Ltd Company. Our inception was driven by the need to offer Australian operators reliable and high-quality products at fair and competitive prices.

Our attachments are crafted to the highest quality standards and constructed using heavy-duty materials, thanks to our global manufacturing capabilities. With rigorous design and testing in the most demanding environments, you can trust that our attachments are built to endure the challenging landscapes of Australia.

Not only do we prioritize durability and performance, but we also offer cost-effective solutions that can save you thousands in upfront costs. Join the movement and say NO to unjustified markups by choosing Aussie Buckets for your attachment needs. Experience the difference in quality, reliability, and affordability with us.



## Why Choose Aussie Buckets?

Aussie Buckets is a reputable provider of premium heavy-duty excavator grabs and buckets. Our extensive range of attachments are fully customizable to suit all major OEM brands, including Cat, Komatsu, JCB, and Kubota, ensuring a perfect fit for your specific equipment.

With a vast network of 102+ pickup locations across the nation, we are committed to making our products easily accessible to our valued customers. In addition, our attachments are backed by a comprehensive 12-month warranty, providing peace of mind and assurance of our commitment to quality.

At Aussie Buckets, we go beyond just selling attachments - we provide lifetime after-sales support to our customers. Our team of experts is readily available to assist with any queries, concerns, or technical assistance, ensuring a seamless experience throughout the lifetime of your attachment.

We take pride in offering affordable excavator attachments without compromising on quality or performance. We believe that hard-working Aussies deserve the best, and it's our mission to deliver exceptional products that meet their needs and exceed their expectations.

Choose Aussie Buckets for superior excavator attachments that are tailored to your requirements, backed by reliable warranty and lifetime after-sales support. Experience the difference in quality and service with our dedicated team.

### CORE VALUES

We pride ourselves in delivering exceptional quality, unmatched customer service, and relentless commitment to innovation and excellence.

#### ► 12-MONTH WARRANTY

Our 12-month warranty, provided with every MBI Scrap Shear 3, offers unparalleled peace of mind, assuring our customers of the durability, reliability, and quality of our products for an extended period of time.

#### ► LIFETIME SUPPORT

Our lifetime after-sales support guarantees ongoing assistance and technical guidance to our customers, ensuring a seamless experience and maximizing the lifespan of our excavator attachments.

#### ► LARGEST RANGE IN AUSTRALIA

As the leading provider in Australia, we boast the largest and most comprehensive range of excavator attachments, offering a wide selection of options to cater to various applications and equipment brands.

#### ► 100% PURPOSE BUILT

Our attachments are exclusively designed and fabricated 100% purpose-built to meet the unique requirements of our customers, ensuring optimal performance and satisfaction with our products.



**Aidan Kuzmich**  
MANAGING DIRECTOR

*A. Kuzmich*

## Manufacture & Delivery.

Our extensive product range is meticulously engineered to excel in the most challenging environments, and our reputation as a trusted provider of durable and dependable materials handling equipment is widely recognized in the industry.

### MANUFACTURE

In the first four weeks, you'll receive updates at the following milestones; 50% production progress and 100% production completed alongside product photos.

### IMPORT

Following fabrication completion, we promptly arrange shipment from our factory to Melbourne Port. The next update will be sent following confirmation of its departure.

### TRANSIT

Under normal circumstances, the voyage is anticipated to take approximately three weeks, with an additional week allocated for port clearance and arrival at our Victorian distribution warehouse.

### DELIVERY

Following any balances being settled, we arrange delivery with one of our local freight companies, sending the attachment directly to your work-site or one of our 102+ pick-up locations nationwide.



# OVERVIEW

We take pride in our unwavering dedication to delivering unparalleled quality, exceptional customer service, and relentless commitment to innovation and excellence.

We take pride in our performance range attachments, which are crafted using premium materials sourced from industry-leading international suppliers. Our unwavering commitment to quality is evident in our unmatched priority service, ensuring prompt and efficient customer support.



**INDUSTRY-LEADING INTERNATIONAL SUPPLIERS**



**PREMIUM ATTACHMENT CAPABILITIES**



**PREMIUM ATTACHMENT MATERIALS**



**UNMATCHED PRIORITY SERVICE & SUPPORT**



# MBI Primary Crusher.

Available for 7 - 140T

The MBI Primary Crusher, designed for the construction, mining, and quarrying industries, excels in the initial processing of large, hard materials. Primarily used in building demolition and raw material processing in quarries and mines, it stands out for its high crushing power and efficiency, attributed to an advanced hydraulic system and robust jaws. The crusher's durable construction with wear-resistant materials ensures a prolonged lifespan and reduced maintenance needs. This combination of power, durability, and precision control makes the MBI Primary Crusher a pivotal tool in enhancing productivity in material processing across various demanding environments.

## QUICK QUOTE

## Features



### Versatility In Application

Its adaptable design makes it suitable for a wide range of industries, from construction to mining. This versatility allows it to efficiently process various types of materials, making it a valuable asset in diverse operational settings.



### Specific Tooth Profile

The crusher's teeth are designed with a specific profile that maximizes crushing efficiency. This design ensures that materials are processed more thoroughly and quickly, leading to better overall performance.



### Durable Construction

Constructed using highly wear-resistant materials, the crusher is built to last. It withstands rigorous and continuous use in demanding environments, ensuring long-term reliability and reducing the need for frequent replacements.



### 1 Twin-Pin System

The Twin-Pin System in the MBI Primary Crusher is a critical feature that enhances the stability and functionality of the equipment. This system involves two pins that provide additional support and alignment to the crusher's moving parts, ensuring smoother and more stable operation.

### 2 4-Sided Usable Cutting Edges

This enhancement significantly boosts the durability of the crusher. The innovative design of the cutting edges allows them to be rotated and utilized on all sides, markedly prolonging the operational lifespan of the crusher. This feature not only extends the time between blade replacements but also reduces the overall frequency of maintenance requirements, ensuring more efficient and cost-effective operations.



## SPEED-VALVE TECHNOLOGY

### ADVANCED SPEED-VALVE TECHNOLOGY

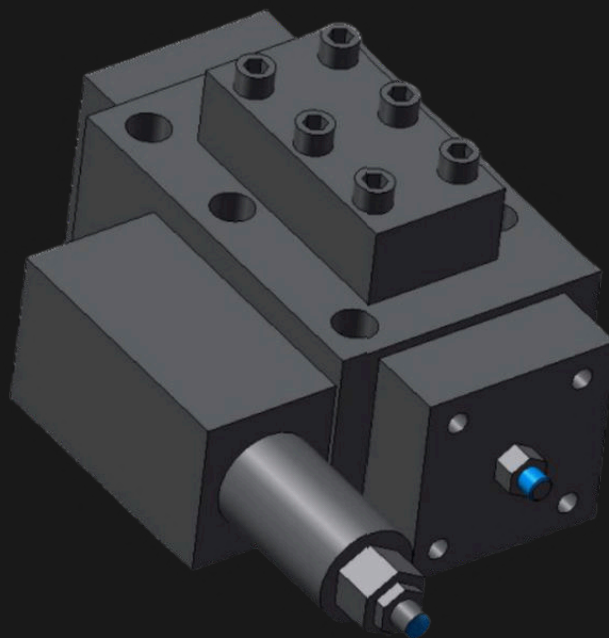
The Speed-Valve Technology is an advanced feature incorporated in the MBI Primary Crusher, designed to significantly enhance the attachment's efficiency and productivity.

This innovative hydraulic valve system optimizes the flow of hydraulic fluid within the pulveriser, which in turn reduces the time taken for the jaws to open and close during demolition tasks.

By minimizing delays and ensuring a smoother operation, the Speed-Valve Technology allows operators to complete jobs more quickly, leading to increased productivity and cost-effectiveness on the worksite.

Additionally, the improved fluid dynamics within the hydraulic system help to reduce stress on the components, prolonging the attachment's lifespan and reducing the need for maintenance.

Speed-Valve Technology is a crucial feature that streamlines the operation of the MBI Primary Crusher, providing better efficiency, higher productivity, and extended equipment life, making it a valuable addition to any demolition project.



# QUADRUPL THE SERVICE LIFE

Unlike conventional cutting edges that require replacement once worn out, these 4-sided edges can be rotated and reused, effectively quadrupling their service life.

This not only reduces the frequency of blade replacements but also ensures that the crusher maintains optimal performance for a longer period.

Additionally, this feature minimizes downtime associated with maintenance and blade replacement, thereby increasing overall productivity.

The ability to use all four sides of the cutting edges also means more uniform wear and tear, contributing to consistent performance throughout the edges' lifespan.

This innovative design is particularly beneficial in heavy-duty operations where the crusher is subject to constant, intense use, as it ensures that the cutting efficiency remains high even under such demanding conditions.







## Partnering With MBI.



At Aussie Buckets, we're committed to delivering exceptional quality and performance. We're thrilled to partner with MBI for the production of our innovative MBI Rotating Pulveriser, a noteworthy addition to our Performance Range. Leveraging MBI's expertise, this High Performance Fixed Pulveriser boasts advanced features and design, distinguishing it within the demolition industry and ensuring outstanding efficiency and productivity.

Mantovanibenne (MBI), established in 1963, has become a leading innovator in the development and production of excavator attachments for the construction, demolition, recycling, and earth-moving industries. As the head of the multinational MBI Group, the company continues to set the industry standard with their globally recognized crushers, pulverizers, and Eagle Shears.

To ensure the safety and reliability of equipment, MBI emphasises the importance of matching the right attachment with the right machine. The company offers a diverse range of attachments for various types of construction machines and configurations, and recommends consulting with their qualified technicians for optimal equipment pairing.

MBI's global dealer network provides comprehensive support to customers, from initial consultations to after-sales service. The company operates facilities in five countries - Italy, Bulgaria, France, Germany, and China - to cater to their international clientele effectively.



## MBI Company Background

At Aussie Buckets, we're committed to delivering exceptional quality and performance. We're thrilled to partner with MBI for the production of our innovative MBI Fixed Pulveriser, a noteworthy addition to our Performance Range. Leveraging MBI's expertise, this High Performance Fixed Pulveriser boasts advanced features and design, distinguishing it within the demolition industry and ensuring outstanding efficiency and productivity.

Mantovanibenne (MBI), established in 1963, has become a leading innovator in the development and production of excavator attachments for the construction, demolition, recycling, and earth-moving industries. As the head of the multinational MBI Group, the company continues to set the industry standard with their globally recognized crushers, pulverizers, and Eagle Shears.

To ensure the safety and reliability of equipment, MBI emphasises the importance of matching the right attachment with the right machine. The company offers a diverse range of attachments for various types of construction machines and configurations, and recommends consulting with their qualified technicians for optimal equipment pairing.

MBI's global dealer network provides comprehensive support to customers, from initial consultations to after-sales service. The company operates facilities in five countries - Italy, Bulgaria, France, Germany, and China - to cater to their international clientele effectively.

MBI's global dealer network provides comprehensive support to customers, from initial consultations to after-sales service. The company operates facilities in five countries - Italy, Bulgaria, France, Germany, and China - to cater to their international clientele effectively.

MBI's global dealer network provides comprehensive support to customers, from initial consultations to after-sales service. The company operates facilities in five countries - Italy, Bulgaria, France, Germany, and China - to cater to their international clientele effectively.



# Call Us (03) 9917 8598

We're easy to reach, 5 days a week.



## AUSSIE BUCKETS

### HEAD OFFICE

501 Errard St S,  
Redan VIC 3350

*\*Appointment Only\**

Monday - Friday  
9:00am - 5:00pm

### MARKETING OFFICE

314 Montague Road,  
West End, QLD, 4101

*\*Appointment Only\**

Monday - Friday  
9:00am - 5:00pm

### WAREHOUSE & SALES

8/6 Peterpaul Way  
Truganina VIC 3029

Monday - Friday  
9:00am - 5:00pm

### SALES & SUPPORT

[sales@aussiebuckets.com.au](mailto:sales@aussiebuckets.com.au)  
[support@aussiebuckets.com.au](mailto:support@aussiebuckets.com.au)

### LOGISTICS TEAM

[shipping@aussiebuckets.com.au](mailto:shipping@aussiebuckets.com.au)



 **MBI<sup>®</sup>**



**CR**  
CRUSHER





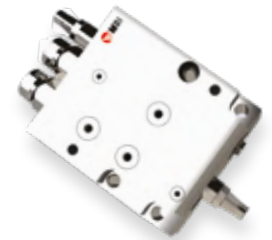
## CR

### CRUSHER



Designed to face the toughest demolition operations, the CR best features are power and durability, enabling fast, precise and safe demolitions. This tool has been engineered for primary demolition of reinforced concrete, also on high-reach applications.

- The continuous **hydraulic rotation** enables precise positioning during in height demolitions and the double-row thrust bearing ensures high robustness and increases safety.
- The **powerful cylinders** deliver an enormous force thanks to the perfect cinematics.
- A **special teeth profile**, studied to remain sharpen despite wear, maximizes penetration.
- The **twin-pin system** enables larger opening and higher power, even at maximum opening.
- The interchangeable **rebar cutting blades** can be turned 4 times before replacement.
- The patented **Speed-Valve** improves productivity and protects the hydraulic system from pressure peaks.



## TECHNICAL DATA

BT.CR.08

BT.CR.4.00

BT.CRR.12

| MODEL                      |       | CR2        | CR4    | CR5     | CR5R           | CR15R   | CR20R   | CR26R   | CR40R   | CR60R   | CR80R   | CR100R  | CR120R   |
|----------------------------|-------|------------|--------|---------|----------------|---------|---------|---------|---------|---------|---------|---------|----------|
| ROTATION                   |       | Mechanical |        |         | 360° Hydraulic |         |         |         |         |         |         |         |          |
| EXCAVATOR WEIGHT           | t     | 03-05      | 03-06  | 06-10   | 07-11          | 16-20   | 21-26   | 27-35   | 45-55   | 60-70   | 75-95   | 100-120 | 120-140  |
| TOOL WEIGHT *              | kg    | 240        | 320 ** | 530     | 630            | 1600    | 2100    | 2800    | 4720    | 6250    | 8250    | 11000   | 12000    |
| OPENING                    | mm    | 360/0      | 440/0  | 450/0   | 450/0          | 800/0   | 1050/0  | 1100/0  | 1350/0  | 1580/0  | 1800/0  | 2050/0  | 2310/320 |
| HEIGHT                     | mm    | 1070       | 1070   | 1290    | 1315           | 1800    | 2030    | 2200    | 2800    | 3020    | 3400    | 3200    | 3300     |
| HYDRAULIC WORKING PRESSURE | bar   | 180-220    | 250    | 200-250 | 200-250        | 280-320 | 280-320 | 280-320 | 280-320 | 320-350 | 320-350 | 320-350 | 320-350  |
| OIL FLOW                   | l/min | 30-50      | 65     | 50-90   | 50-90          | 130-150 | 180-220 | 220-250 | 250-300 | 320-350 | 500-600 | 600-800 | 600-800  |

We are constantly improving our products and therefore we reserve the right to change the design and technical specifications without prior notice.

\* Tool weight does include Mantovanibenne top bracket.

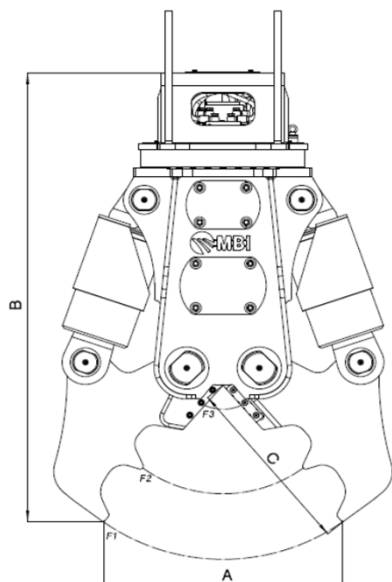
\*\* Tool weight does NOT include Mantovanibenne top bracket.

REF. 97875/E 12/18 REV.00



# CRUSHERS Hyd. Rotation

CR5R-CR15R-CR20R-CR26R-CR40R-CR60R-CR80R-CR100R-CR120R



## Dimensions

|                       |   |      | CR5R  | CR15R   | CR20R    | CR26R    | CR40R    | CR60R  | CR80R    | CR100R   | CR120R     |
|-----------------------|---|------|-------|---------|----------|----------|----------|--------|----------|----------|------------|
| Jaw opening max & min | A | [mm] | 450/0 | 800 / 0 | 1050 / 0 | 1100 / 0 | 1350 / 0 | 1580/0 | 1800 / 0 | 2050 / 0 | 2310 / 320 |
| Height                | B | [mm] | 1315  | 1800    | 2030     | 2200     | 2800     | 3020   | 3400     | 3200     | 3300       |
| Jaw depth             | C | [mm] | 400   | 730     | 810      | 900      | 1160     | 1240   | 1350     | 1450     | 1500       |

## Technical bulletin

|  |              | CR5R                    | CR15R                   | CR20R                 | CR26R                 | CR40R                     | CR60R                     | CR80R                     | CR100R                    | CR120R                    |
|--|--------------|-------------------------|-------------------------|-----------------------|-----------------------|---------------------------|---------------------------|---------------------------|---------------------------|---------------------------|
| Excavator weight                         | [t]          | 07-11                   | 16-20                   | 21-26                 | 27-35                 | 45-55                     | 60-70                     | 75-95                     | 100-120                   | 120-140                   |
| Tool weight *                            | [kg]         | 630                     | 1600                    | 2100                  | 2800                  | 4720                      | 6250                      | 8250                      | 11000                     | 12000                     |
| Force at upper tips F1 (front teeth)     | [t]          | 34                      | 64                      | 84                    | 92                    | 122                       | 174                       | 213                       | 241                       | 255                       |
| Force in the middle F2 (middle of blade) | [t]          | 51                      | 99                      | 127                   | 142                   | 190                       | 284                       | 319                       | 388                       | 622                       |
| Cutting force F3                         | [t]          | 141                     | 284                     | 329                   | 392                   | 546                       | 669                       | 771                       | 910                       | 942                       |
| Hydraulic working pressure               | [bar]        | 200-250                 | 280-320                 | 280-320               | 280-320               | 280-320                   | 320-350                   | 320-350                   | 320-350                   | 320-350                   |
| Oil flow                                 | [l/min]      | 50-90                   | 130-150                 | 180-220               | 220-250               | 250-300                   | 500-600                   | 500-600                   | 600-800                   | 600-800                   |
| Rotation type                            | -----        | 360° H                  | 360° H                  | 360° H                | 360° H                | 360° H                    | 360°H                     | 360°H                     | 360°H                     | 360°H                     |
| Hydraulic motor max oil pressure         | [bar]        | 130-150                 | 90-100                  | 130-150               | 130-150               | 100-115                   | 100-115                   | 140-150                   | 190-200                   | 190-200                   |
| Hydraulic motor oil flow                 | [l/min]      | 15-20                   | 30-40                   | 30-40                 | 30-40                 | 30-40                     | 30-40                     | 50-60                     | 60-75                     | 60-75                     |
| Time of closing at max oil flow          | [s]          | 3,8                     | 2,5                     | 2,2                   | 2,3                   | 4,4                       | 2,8                       | 3                         | 3                         | 3,5                       |
| Time of opening at max oil flow          | [s]          | 2,3                     | 2,5                     | 3,7                   | 4                     | 4,2                       | 3,5                       | 5                         | 6                         | 6,5                       |
| N° of cycles per minute at max oil flow  | [cycles/min] | 9,8                     | 12                      | 10                    | 9,5                   | 6,9                       | 9,5                       | 7,5                       | 6,6                       | 6                         |
| N° of revs per minute at max oil flow    | [revs/min]   | 17                      | 12                      | 11                    | 11                    | 7,4                       | 5,7                       | 9,7                       | 8,7                       | 8,7                       |
| Hyd.ports size cylinder                  | -----        | 1/2" SAE<br>6000 p.s.i. | 3/4" SAE<br>6000 p.s.i. | 1" SAE<br>6000 p.s.i. | 1" SAE<br>6000 p.s.i. | 1" 1/4 SAE<br>6000 p.s.i. | 1" 1/4 SAE<br>6000 p.s.i. | 1" 1/2 SAE<br>6000 p.s.i. | 1" 1/4 SAE<br>6000 p.s.i. | 1" 1/4 SAE<br>6000 p.s.i. |
| Hyd.ports size rotation                  | -----        | 1/2" GAS                | 1/2" GAS                | 1/2" GAS              | 1/2" GAS              | 1/2" GAS                  | 1/2" GAS                  | 1/2" GAS                  | 3/4" GAS                  | 3/4" GAS                  |
| Hyd.port size drain line                 | -----        | N.N.                    | N.N.                    | N.N.                  | N.N.                  | 1/4" GAS                  | 1/4" GAS                  | 1/4" GAS                  | 1/4" GAS                  | 1/4" GAS                  |
| Speed valve                              | -----        | NO                      | YES                     | YES                   | YES                   | YES                       | YES                       | YES                       | YES                       | YES                       |
| Max diameter to be cut**                 | [mm]         | 36                      | 50                      | 58                    | 63                    | 80                        | 80                        | 90                        | 90                        | 90                        |
| Blade length                             | [mm]         | 140                     | 160                     | 175                   | 250                   | 300                       | 300                       | 300                       | 300                       | 300                       |
| Interchangeable wear parts               | -----        | NO                      | NO                      | NO                    | NO                    | NO                        | NO                        | NO                        | NO                        | NO                        |
| Automatic grease system                  | -----        | NO                      | NO                      | NO                    | NO                    | NO                        | YES                       | YES                       | YES                       | YES                       |

\* The tool weight, here noted, includes also the MBI's STD coupler.

\*\* The cutting tests have been realized with a test ST355 material.

N.N.: not needed. Refers to drain the Hydraulic rotation.

N.B.: the noted performances have been achieved by the maximum pression and capacity values .

Characteristics and specifics of product could be varied without obligation of notice.