



Auger Gear

2025

PRODUCT OVERVIEW.....	01
SPECIFICATIONS.....	02
FEATURES.....	05
ACCESSORIES.....	07



*Pictured model: 4.5-8T Auger Gear

Auger Gear

AVAILABLE FOR 0.8T-45T

Drill with ease using our versatile Auger Attachments, available in multiple types, including earth, combination, and rock augers, delivering the best performance for the price on the market. We also offer a range of additional attachments, making this a core piece in most operators' kits. Screw piling kits with a torque indicator, in-cab monitor, and angle aligner are available upon request.

Specifications

Tonnage	Max Torq. (Nm)	Auger Diameter Range (mm)	Pressure (Bar)	Oil Flow	Speed (rpm)	Weight (kg)	Length (mm)	Output Shaft Size (mm)
0.5-2.5	1900	150-400	70-240	27-75	35-95	41	606	65 ROUND
2-4	3000	150-500	70-240	27-75	35-88	41	606	65 ROUND
3.5-6	5000	150-900	80-240	50-95	42-80	66	687	65 ROUND
4.5-8	8000	150-900	80-260	60-135	35-80	124	808	75 SQUARE
5-10	10000	150-1000	80-260	60-135	35-80	131	808	75 SQUARE
10-15	18000	150-1200	80-240	80-170	20-42	165	937	75 SQUARE
15-25	30000	150-1500	160-260	80-170	12-28	255	1158	75 SQUARE
20-45	50000	150-1800	220-350	100-300	0-30	460	1354	110 SQUARE
26-45	80000	300-2000	220-350	200-400	0-20	770	1472	110 SQUARE
32-52	100000	300-2200	250-300	300-477	0-15	1050	1725	110 SQUARE

Log Splitter

Tonnage	Drive Models Suited	Diameter (mm)	Length (mm)	Hub Size (mm)	Weight (kg)
0.5-6	ABA-D-2000, ABA-D-3000, ABA-D-5000	180	300	65 ROUND	15

Stump Planner

Tonnage	Drive Models Suited	Diameter (mm)	Length (mm)	Hub Size (mm)	Weight (kg)
0.5-6	ABA-D-3000, ABA-D-5000	250	635mm	65 ROUND	25
4.5-10	ABA-D-8000, ABA-D-10000	350	675mm	75 SQUARE	33

Hole Cleaner

Hub Size (mm)	Diameter (mm)	Height (mm)	Weight (kg)
65 ROUND	300	587	7
65 ROUND	350	587	8
65 ROUND	400	587	10
65 ROUND	450	587	11
65 ROUND	500	587	12
65 ROUND	600	587	15
75 SQUARE	300	587	7
75 SQUARE	350	587	5
75 SQUARE	400	587	9
75 SQUARE	450	587	11
75 SQUARE	500	587	12
75 SQUARE	600	587	15
75 SQUARE	900	587	22

W4 Rock Augers

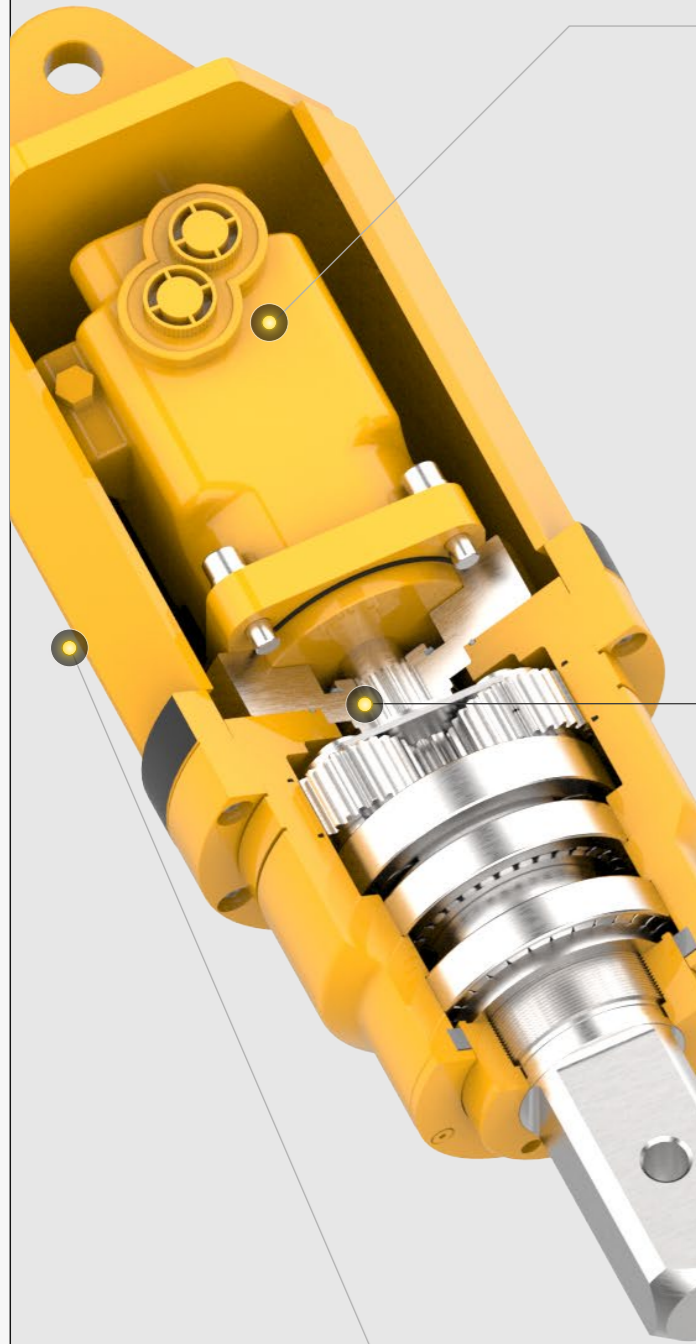
Hub Size (mm)	Overall Length (A) (m)	Diameter (B) (mm)	Flight Length (C) (mm)	Teeth	Weight (kg)
65 ROUND	1	150	520	6	27
65 ROUND	1	200	580	7	31
65 ROUND	1	250	555	8	38
65 ROUND	1	300	540	14	49
75 SQUARE	2	300	1300	14	97
75 SQUARE	2	450	1300	22	136
75 SQUARE	2	600	960	30	170
75 SQUARE	2	750	1200	38	242
110 SQUARE	2	300	1300	14	162
110 SQUARE	2	450	1300	22	198
110 SQUARE	2	600	960	30	232
110 SQUARE	2	750	1200	38	305

W2 Earth Augers

Hub Size (mm)	Overall Length (A) (m)	Diameter (B) (mm)	Flight Length (C) (mm)	Teeth	Weight (kg)
65 ROUND	1	100	600	0	14
65 ROUND	1	150	520	1	25
65 ROUND	1	200	580	1	27
65 ROUND	1	250	555	2	32
65 ROUND	1	300	540	4	35
65 ROUND	1	350	600	4	37
65 ROUND	1	400	520	5	39
65 ROUND	1	450	460	6	47
65 ROUND	1	500	440	6	52
65 ROUND	1	600	510	9	57
65 ROUND	1	800	440	14	77
65 ROUND	1.2	100	700	0	15
65 ROUND	1.2	150	650	1	30
65 ROUND	1.2	200	800	1	33
65 ROUND	1.2	250	740	2	41
65 ROUND	1.2	300	720	4	44
65 ROUND	1.2	350	800	4	48
65 ROUND	1.2	400	680	5	50
65 ROUND	1.2	450	690	6	57
65 ROUND	1.2	500	660	6	69
65 ROUND	1.2	600	640	9	71
65 ROUND	1.2	800	580	14	82
65 ROUND	1.5	150	910	1	35
65 ROUND	1.5	200	960	1	38
65 ROUND	1.5	250	925	2	46
65 ROUND	1.5	300	900	4	50
65 ROUND	1.5	350	1000	4	54
65 ROUND	1.5	400	1040	5	56
65 ROUND	1.5	450	920	6	67
65 ROUND	1.5	500	880	6	80
65 ROUND	1.5	600	800	9	88
65 ROUND	1.5	800	580	14	102
65 ROUND	1.5	250	925	2	53
75 SQUARE	1.5	300	900	4	59
75 SQUARE	1.5	350	940	4	67
75 SQUARE	1.5	400	1020	5	75
75 SQUARE	1.5	450	1040	6	86
75 SQUARE	1.5	500	795	6	99
75 SQUARE	1.5	600	800	9	119
75 SQUARE	1.5	800	580	14	175
75 SQUARE	1.5	1000	580	17	255
75 SQUARE	2	250	1295	2	64
75 SQUARE	2	300	1400	4	75
75 SQUARE	2	350	1175	4	82
75 SQUARE	2	400	1275	5	91
75 SQUARE	2	450	1300	6	105
75 SQUARE	2	500	1060	6	120
75 SQUARE	2	600	915	9	139
75 SQUARE	2	800	580	14	190
75 SQUARE	2	1000	580	17	267
110 SQUARE	2	300	1540	4	145
110 SQUARE	2	350	1440	4	157
110 SQUARE	2	400	1300	5	169
110 SQUARE	2	450	1325	6	177
110 SQUARE	2	500	1080	6	190
110 SQUARE	2	600	830	9	226
110 SQUARE	2	800	580	14	301
110 SQUARE	2	1000	580	17	340
110 SQUARE	2	1200	620	20	480

W3 Combination Augers

Hub Size (mm)	Overall Length (A) (m)	Diameter (B) (mm)	Flight Length (C) (mm)	Teeth	Weight (kg)
65 ROUND	1	100	600	0	13
65 ROUND	1	150	520	1	25
65 ROUND	1	200	580	1	27
65 ROUND	1	250	555	2	32
65 ROUND	1	300	540	4	34
65 ROUND	1	350	600	6	37
65 ROUND	1	400	520	6	39
65 ROUND	1	450	460	7	47
65 ROUND	1	500	440	8	52
65 ROUND	1	600	510	10	57
65 ROUND	1	800	440	14	78
65 ROUND	1.2	100	700	0	14
65 ROUND	1.2	150	650	1	30
65 ROUND	1.2	200	800	1	33
65 ROUND	1.2	250	740	2	41
65 ROUND	1.2	300	720	4	44
65 ROUND	1.2	350	800	6	48
65 ROUND	1.2	400	680	6	50
65 ROUND	1.2	450	690	7	57
65 ROUND	1.2	500	660	8	69
65 ROUND	1.2	600	640	10	71
65 ROUND	1.2	800	580	14	82
65 ROUND	1.5	150	910	1	35
65 ROUND	1.5	200	960	1	38
65 ROUND	1.5	250	925	2	46
65 ROUND	1.5	300	900	4	50
65 ROUND	1.5	350	1000	6	54
65 ROUND	1.5	400	1040	6	56
65 ROUND	1.5	450	920	7	67
65 ROUND	1.5	500	880	8	80
65 ROUND	1.5	600	800	10	88
65 ROUND	1.5	800	580	14	102
65 ROUND	1.5	250	925	2	53
75 SQUARE	1.5	300	900	4	59
75 SQUARE	1.5	350	940	6	67
75 SQUARE	1.5	400	1020	6	75
75 SQUARE	1.5	450	1040	7	86
75 SQUARE	1.5	500	795	8	99
75 SQUARE	1.5	600	800	10	119
75 SQUARE	1.5	800	580	14	175
75 SQUARE	1.5	1000	580	18	255
75 SQUARE	2	250	1295	2	64
75 SQUARE	2	300	1400	4	76
75 SQUARE	2	350	1175	6	82
75 SQUARE	2	400	1275	6	91
75 SQUARE	2	450	1300	7	105
75 SQUARE	2	500	1060	8	120
75 SQUARE	2	600	915	10	139
75 SQUARE	2	800	580	14	190
75 SQUARE	2	1000	580	18	267
110 SQUARE	2	300	1540	4	145
110 SQUARE	2	350	1440	6	156
110 SQUARE	2	400	1300	6	169
110 SQUARE	2	450	1325	7	177
110 SQUARE	2	500	1080	8	191
110 SQUARE	2	600	830	10	226
110 SQUARE	2	800	580	14	300
110 SQUARE	2	1000	580	18	340
110 SQUARE	2	1200	620	22	481



High-Quality Motor

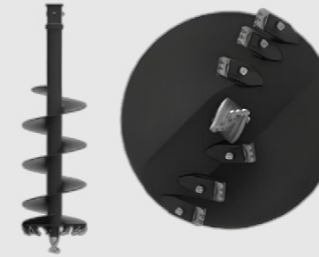
Constructed with minimal maintenance in mind, we use high-quality hydraulic motors for peace of mind and reliability, day in and day out.

Planetary Gear Box

The use of the planetary gearbox, with its multiple-gear structure, allows for more surface area on the ring gear, resulting in greater performance in torque, speed, durability, and longevity.

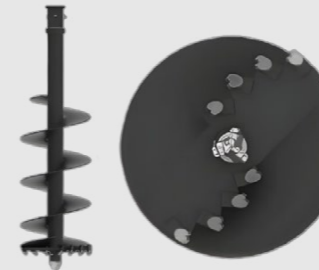
Helix Housing

The hexagonal-style housing increases durability and ensures it can withstand the stresses of heavy-duty use while maintaining a sleek and professional appearance.



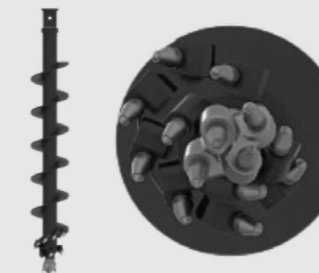
Earth Augers

All purpose earth auger for general drilling
Optimal power transmission enhancing longevity, while adding efficiency to reduce fuel consumption and increase productivity.



Combination Auger

Taper teeth all performance auger
The angle and geometry of the teeth to the pilot are the key to the efficiency in which these augers perform. This auger is fitted with Tungsten Taper Teeth for the ultimate ripping ability in fracturable rock, permafrost and general earth conditions.



Rock Augers

All purpose rock auger for intense drilling
Heavy duty engineered design, with high efficiency cutting heads to maximize your rock drilling performance. Fitted with a range of quality wear parts providing superior wear and performance.

1 DOUBLE-PIN CRADLE HITCH



2 SINGLE-PIN CRADLE HITCH



3 DOUBLE-PIN HITCH



4 SKID-STEER LOADER FRAME



14 IN-CAB MONITOR



13 ANGLE INDICATOR



12 TORQUE INDICATOR



11 LOG SPLITTER



10 HOLE CLEANER



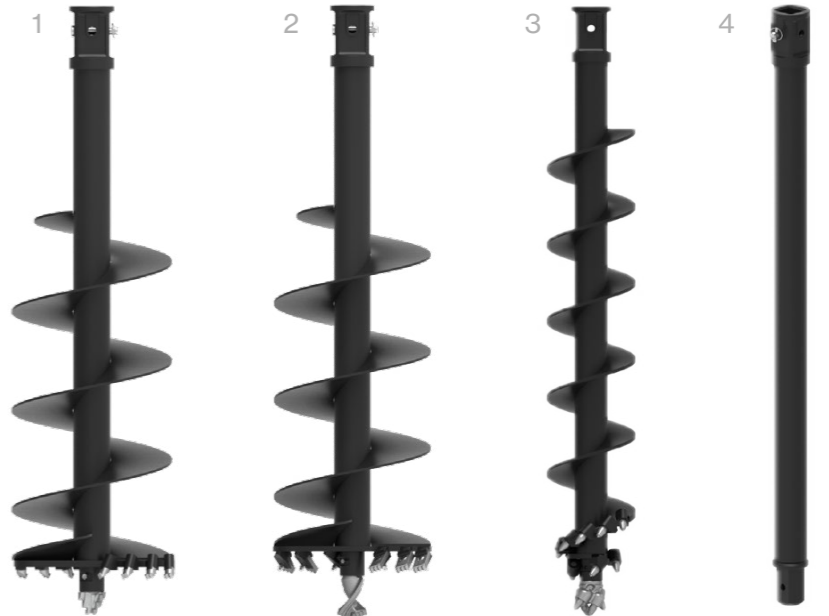
9 STUMP PLANER



8 HELICAL PILE



7 1. COMBINATION, 2. EARTH, 3. ROCK AUGER & 4. AUGER EXTENSION



5 MIXER BOW



6 CORE BARREL



AUSSIE BUCKETS

SAY NO TO MARKUPS

For complete information on Aussie Buckets products and industry solutions, visit our website:

www.aussiebuckets.com.au

The photos in this catalog display various tonnages and are for illustrative purposes only. To confirm specific wear and design elements, please discuss your requirements with a member of our team. Final designs and wear elements may vary by tonnage. All product specifications were accurate at the time of publishing; however, these may differ from current specifications. For the latest details, please consult with an attachment specialist.

The words "Aussie Buckets" and the associated logo are registered trademarks within Australia.

© 2025 AUSSIE BUCKETS PTY LTD